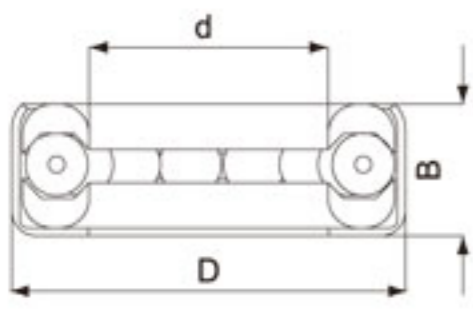


● Thrust Bearings

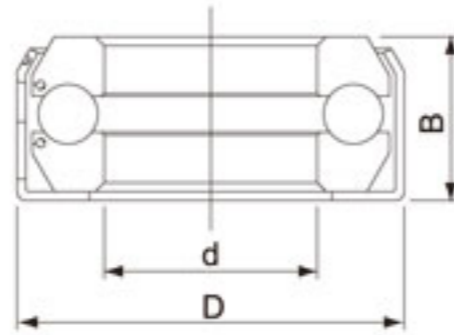
Application: Door, Various Rotating Display Stand (Such as: display card, key chain)..... etc.



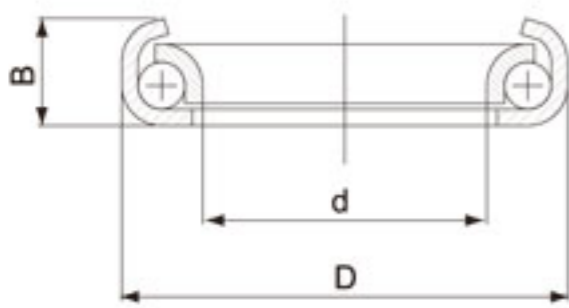
PRODUCT NO.	DIMENSION (mm)					BALL	
	D	d	B	C	E	NO	DIA
TYPE-1							
F4001	20	12.2	6.6			15	φ3.175
F4008	29	20.15	6.5			23	φ3.175
TYPE-2							
F4003	26	15	8.5			19	φ3.175
F4007	13	7.15	5.5			14	φ2.0
TYPE-3							
F4002	30	19	7.2			24	φ3.175
F4004	23	11.15	5.5	1.2	18.99	16	φ3.175
F4006	124	95	10.6			80	φ3.90



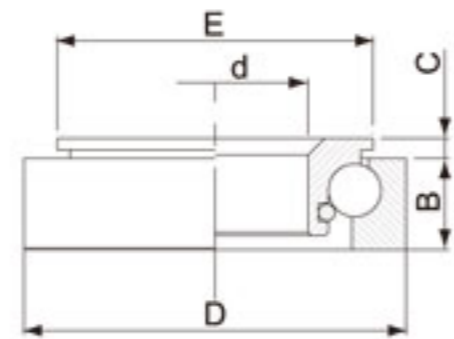
TYPE-1



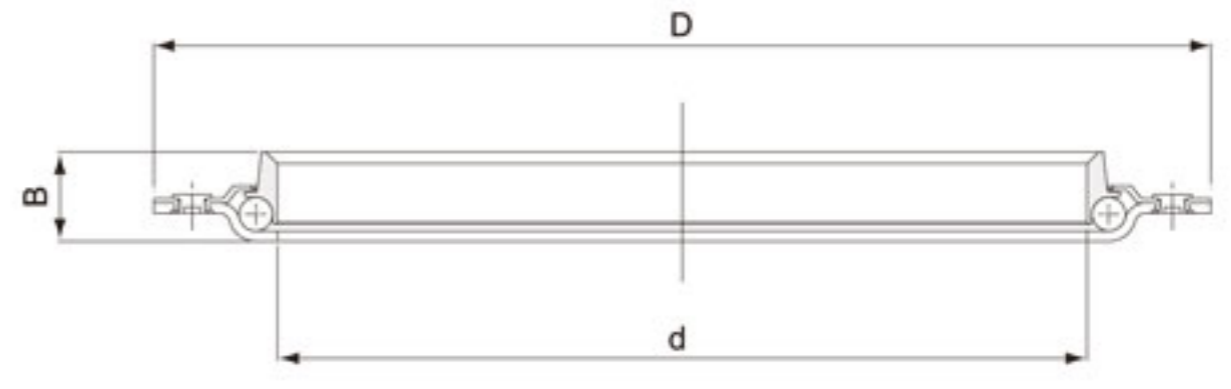
TYPE-2



F4002



F4004



F4006