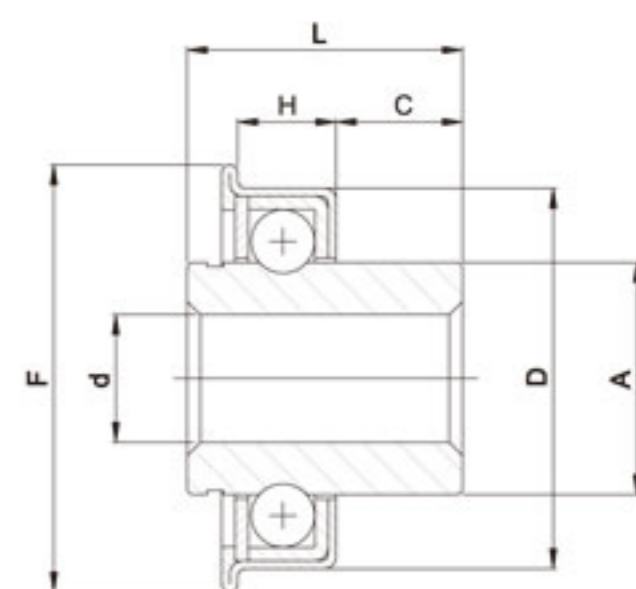
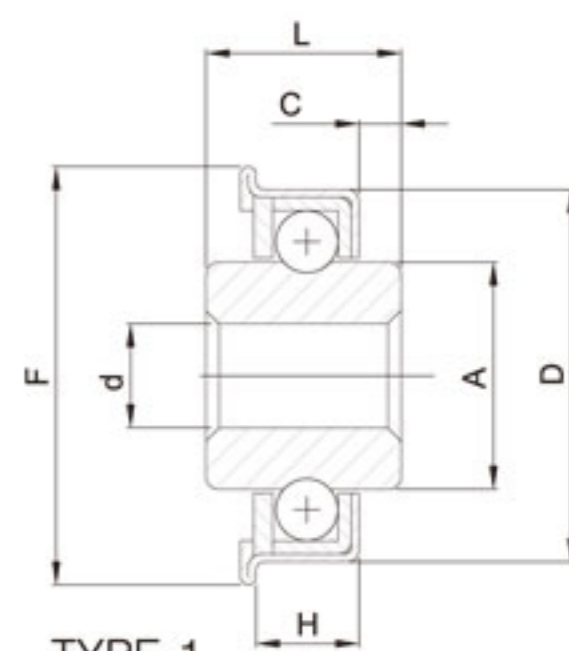


● Pressed Bearings & Flanged Bearings

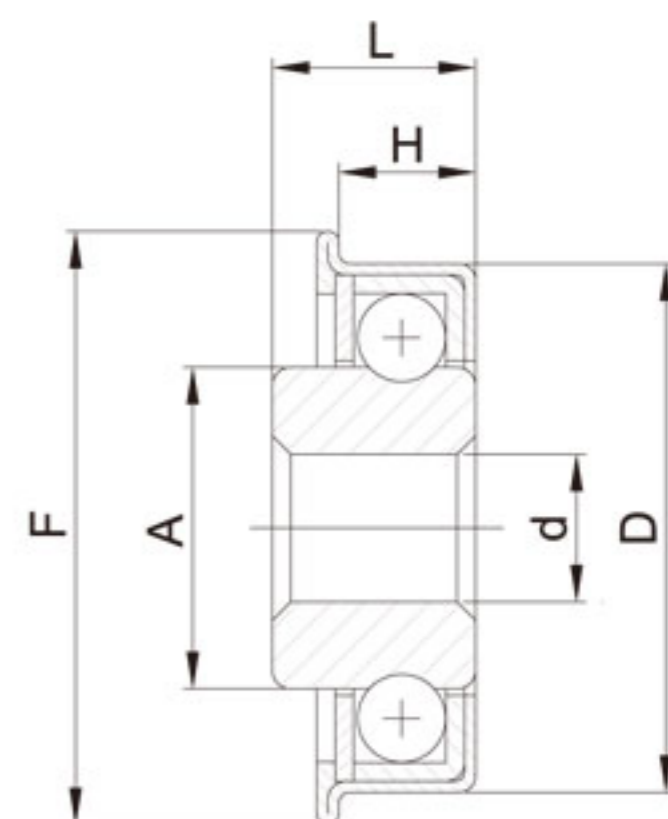
Application: Sporting Goods, Skate board, Conveyor, Exercise Bike, Furniture, In-Line Roller Skate, Garage Door, Overhead Door, Wheel Barrow, Caster etc.



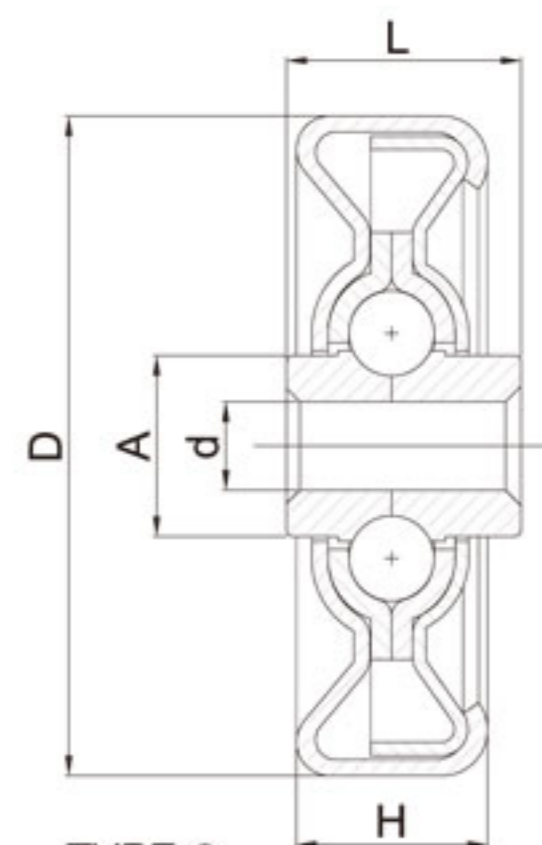
F1005



TYPE-1



TYPE-2



TYPE-3

PRODUCT NO.	DIMENSION (mm)							BALL	
	D	d	F	A	H	C	L	NO	DIA
F1005	28.7	9.6	32	17.45	7.4	9.7	20.7	13	φ4.76
TYPE-1									
F1006	28.7	8	32	17.4	7.9	3.25	15	13	φ4.76
F1155	35	15.9	37.7	20.6	9.2	1	13.3	12	φ6.35
F1156	35	19.1	37.7	24.1	8.9	0.87	13.3	17	φ4.76
F1159	35	15.8	37.7	20.6	9.2	1	13.3	12	φ6.35
F1188	28.6	9.6	32	17.46	7.9		18.25	13	φ4.76
F1189	28.6	10	32	17.44	7.9	3.25	15	13	φ4.76
TYPE-2									
F1007	28.7	11.1	31.8	17.4	7.2		11.1	13	φ4.76
F1013	28.6	8	31.8	17.4	7.4		11	13	φ4.76
F1101	45	28	48	32.8	8.7		11	23	φ4.76
F1102	29	9.5	32	15	8.3		10.4	9	φ6.35
F1105	28.6	9.6	32.2	17.4	7.9		11.1	13	φ4.76
F1150	50.9	25.6	54.3	31	11.5		16	19	φ6.3
F1158	17.55	6.4	20.3	9.5	5.1		7.9	11	φ3.175
F1161	23.1	8.15	25.15	14.45	6.5		9.53	12	φ3.96
F1203	28.7	12.7	32	17.4	7.4		11.2	13	φ4.76
TYPE-3									
F1002	49.2	6.6		13.5	14		17.5	8	φ6.35
F1149	49.2	6.4		12.5	14.29		22.23	8	φ6.35
F1151	49.5	6.5		17.5	14.72		18.38	10	φ6.35
F1157	49.2	6.5		12.5	14.29		19.83	8	φ6.35